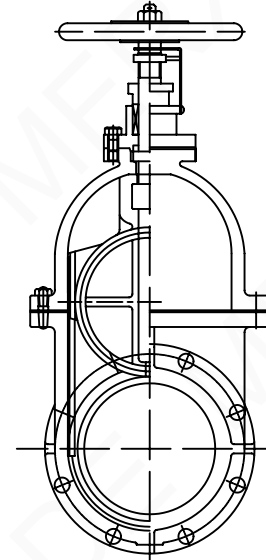
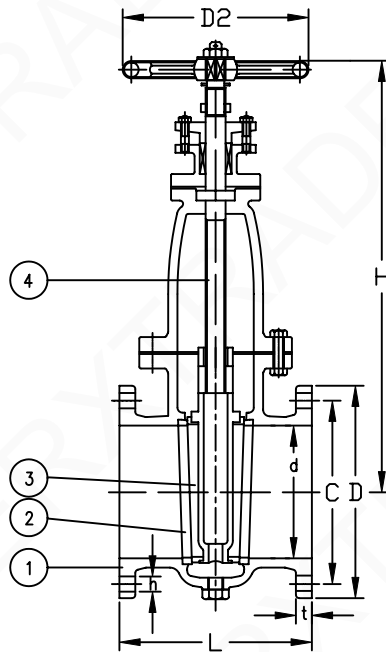


## SERIES F7369 - JIS 16K

### Cast Iron Gate Valve

Manufactured in accordance to JIS F7400

Flanges as per JIS B2220 - 16K



Part Nr.	Material	Code
1 - Body	Cast Iron	FC200
2 - Seat	Stainless steel	SS420
3 - Disc	Stainless steel	SS420
4 - Stem	Stainless steel	SS420

Pressure	16K
Flanges drilled	JIS 16K

The installation length and flange dimensions are the same as those in the table.  
The height size (H) can differ slightly per brand.  
The stainless steel parts are made of SUS420 or equal to.

**Sizes between (000) are the original F7369 length**

Size	L	D	C	No.	h	t	H	D2	Kg
050	200 (210)	155	120	8	19	20	300	140	19.5
065	220 (240)	175	140	8	19	22	350	160	28
080	230 (260)	200	160	8	23	24	400	180	35
100	250 (290)	225	185	8	23	26	450	200	50
125	270 (310)	270	225	8	25	26	520	250	70
150	290 (330)	305	260	12	25	28	580	280	100
200	320 (370)	350	305	12	25	30	700	355	150
250	380 (430)	430	380	12	27	34	845	450	250
300	480 (490)	480	430	16	27	36	1010	500	423
350	540	540	480	16	33	38	1070	560	580
400	610	605	540	16	33	42	1160	630	780